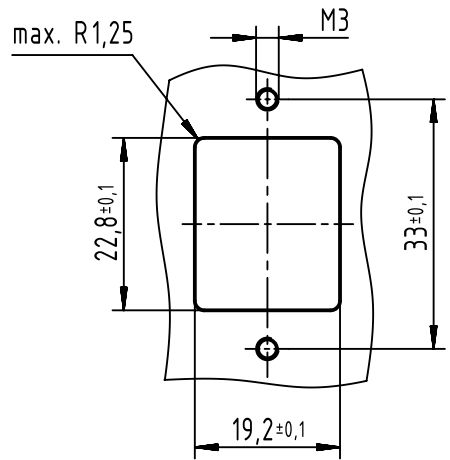
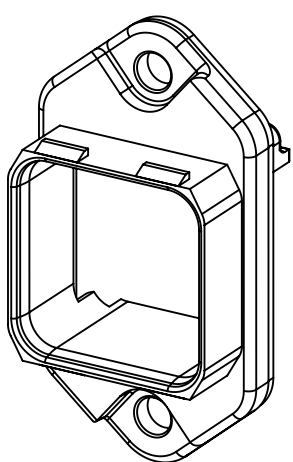
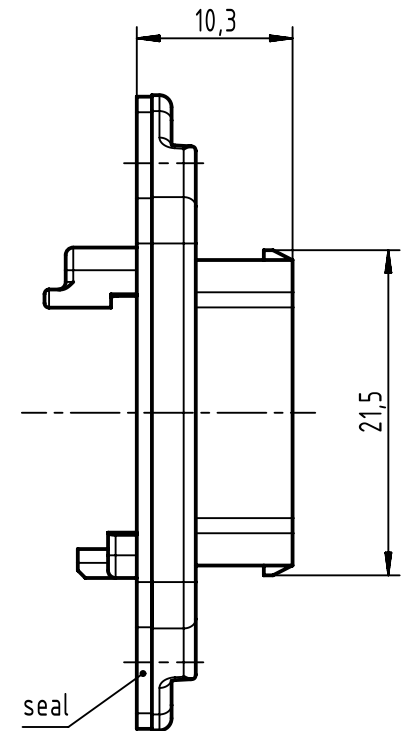
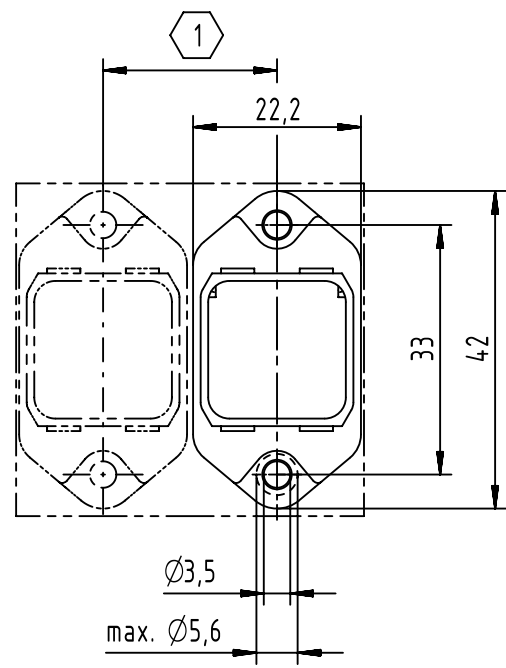


(1:1)  
panel cut out



(1:1)



1 min. 23 using Han PushPull housings with SW19  
min. 27 using Han PushPull housings with SW24

	All rights reserved Department EC PD - DE	All Dimensions in mm Original Size DIN A4		Scale 2:1	Free size tol.	Ref. Sub. TB 09 35 002 0303 / 35946 / 09.12.2009	
		HARTING Electronics GmbH D-32339 Espelkamp	Created by HAGEMEYERE	Inspected by ELLERMANN	Standardisation SCHREIER	Date 2015-10-12	State Final Release
				Title Han PP V14 SCRJ Power housing metal			Rev. B
				Type TB	Number 09350020303		Page 1/1